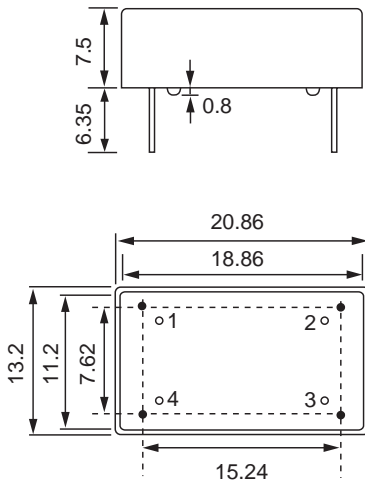


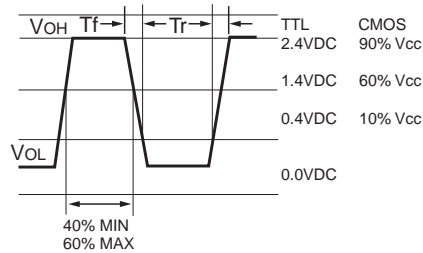
## ELECTRICAL SPECIFICATIONS

| PARAMETERS              |          | HE-VXO-D                                   | UNIT            |
|-------------------------|----------|--|-----------------|
| FREQUENCY RANGE         |          | 2.000 - 160.000                            | MHz             |
| APPLICATIONS            |          | VCXO                                       |                 |
| SUPPLY VOLTAGE          |          | DC 5.0 ± 5%                                | V               |
| LOAD                    |          | TTL2 ± 10%                                 |                 |
| CONTROL VOLTAGE         |          | 2.5  | V               |
| NORMAL TEST TEMPERATURE |          | 25 °C                                      | °C              |
| OPERATING TEMPERATURE   |          | 0°C ~ +60° (Optional extended temperature) | °C              |
| FREQUENCY STABILITY     | vs. TEMP | ±10.0                                      | PPM             |
|                         | vs. VOLT | ±0.5/V <sub>CC</sub> ± 5%                  | PPM             |
|                         | vs. LOAD | ±0.2/Load ± 10%                            | PPM             |
|                         | AGING    | ±1.0                                       | PPM             |
| OUTPUT                  | LEVEL    | TTL/CMOS                                   | V <sub>pp</sub> |
|                         | WAVEFORM | Rectangular                                |                 |
| SUPPLY CURRENT          |          | 20.0                                       | mA              |
| FREQUENCY DEVIATION     |          | +150                                       | PPM             |
| CONTROL VOLTAGE         |          | 2.5±2.0                                    | VDC             |

## MECHANICAL DRAWING



WAVEFORM



Pin Connections:  
 1: VCon  
 2: Ground  
 3: Output  
 4: Vcc

TEST CIRCUIT

